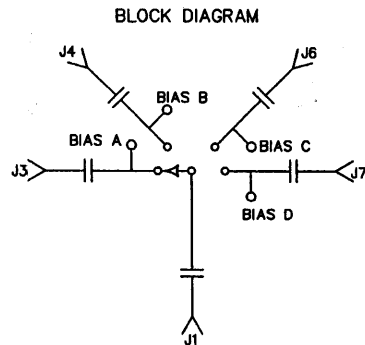


DESCRIPTION

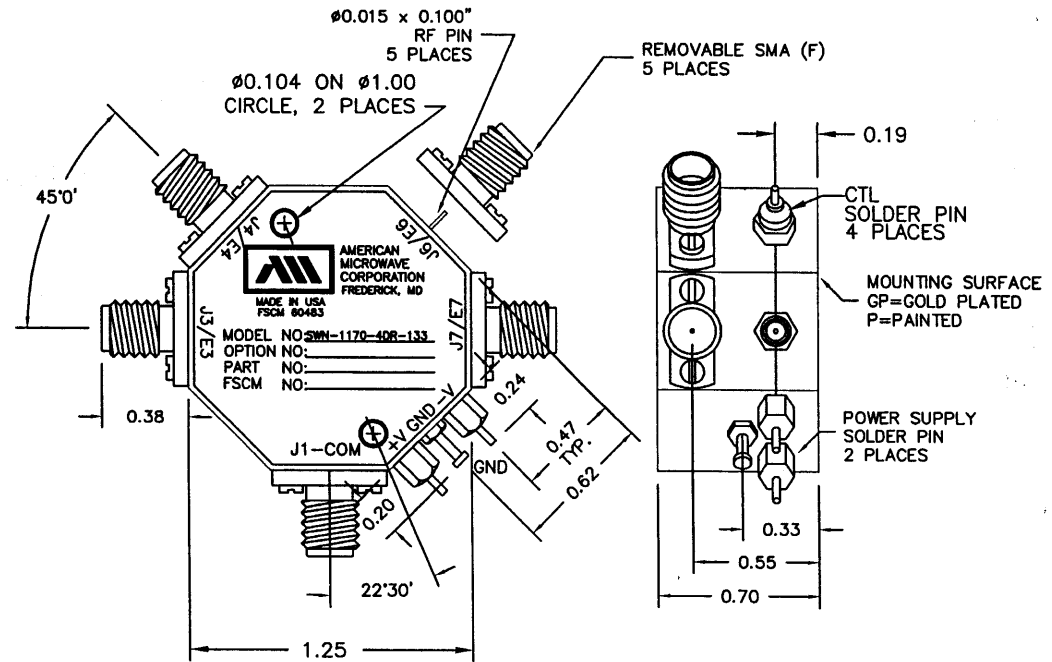
AMC MODEL SWN-1170-4DR-133 IS A 0.01 TO 18 GHz, REFLECTIVE, SINGLE POLE FOUR THROW SWITCH HAVING AN INSERTION LOSS OF 4.0 dB MAXIMUM, AN ISOLATION OF 60 dB MINIMUM AND A VSWR OF 2.0:1.

SPECIFICATIONS

- FREQUENCY RANGE: 0.01 TO 18 GHz
- INSERTION LOSS: 4.0 dB MAXIMUM
- ISOLATION: 60 dB MINIMUM
- VSWR: 2.0:1
- RISE TIME: 25 nSec MAXIMUM
- FALL TIME: 25 nSec MAXIMUM
- DELAY ON: 100 nSec MAXIMUM
- DELAY OFF: 100 nSec MAXIMUM
- CONTROL: TTL LOGIC "0" = ON
TTL LOGIC "1" = OFF
- POWER SUPPLY: +5V @ 150 mA MAXIMUM
-12V/15V @ 50 mA MAXIMUM
- SIZE: 1.25" x 1.25" x 0.70"



REVISIONS				
ZONE	REV.	DESCRIPTION	DATE	APPROVED
-	-	ORIGINAL RELEASE JOB# 409210-1	9/15/04	ES



ENVIRONMENTAL RATINGS

- TEMPERATURE: -55°C TO +85°C (OPERATING)
-65°C TO +125°C (STORAGE)
- HUMIDITY: MIL-STD-202F, METHOD 103B COND. B
- SHOCK: MIL-STD-202F, METHOD 213B COND. B
- VIBRATION: MIL-STD-202F, METHOD 204D COND. B
- ALTITUDE: MIL-STD-202F, METHOD 105C COND. B
- TEMPERATURE CYCLE: MIL-STD-202F, METHOD 107D COND. A

NOTE: SPECIFICATIONS WILL VARY OVER OPERATING TEMPERATURE
NOTE: THE ABOVE SPECIFICATIONS ARE SUBJECT TO CHANGE OR REVISION

ALL DIMENSIONS ARE IN INCHES
TOLERANCES:
X.XX ±0.020
X.XXX ±0.010

AMERICAN MICROWAVE CORPORATION

7311-G GROVE ROAD
FREDERICK, MARYLAND 21704 USA
TEL: 301-662-4700 FAX: 301-662-4938
WEBSITE: www.americanmicrowavecorp.com
E-MAIL: sales@americanmicrowavecorp.com
ISO 9001:2000 CERTIFIED

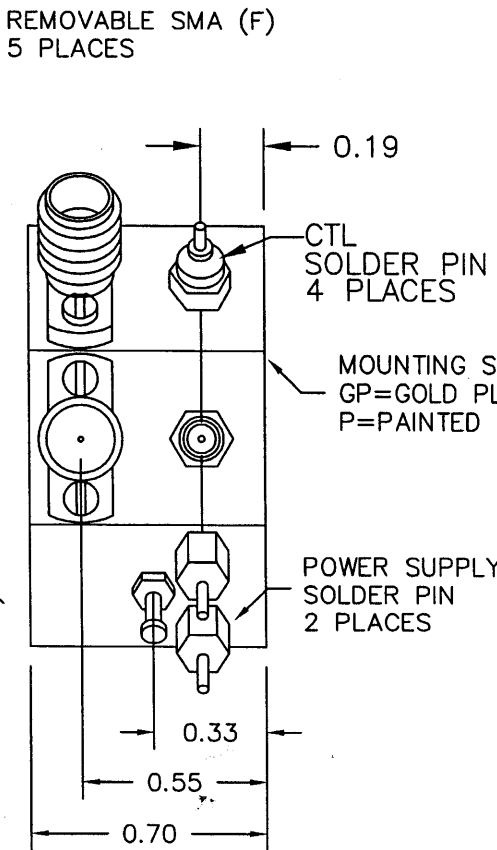
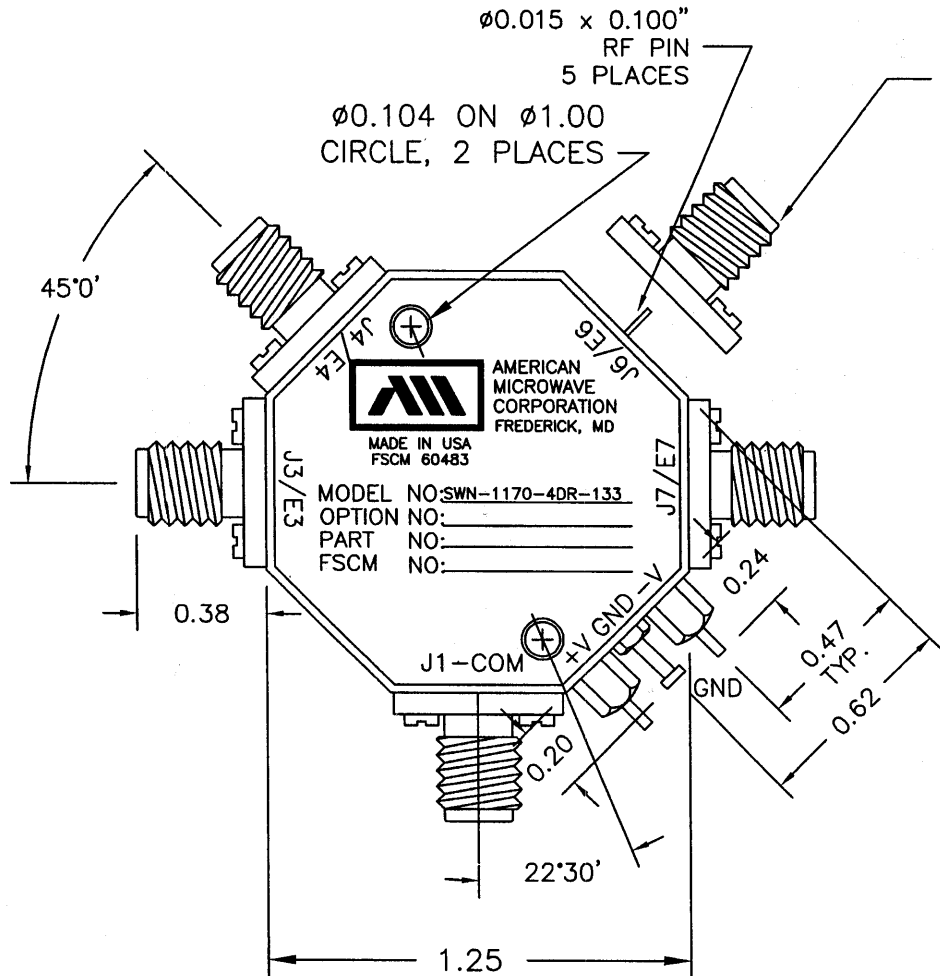


APPROVALS		DATE	TITLE		
DRAWN <i>SDJ</i>		9/15/04	PRODUCT FEATURE		
CHECKED <i>PA</i>		9/22/04	SWN-1170-4DR-133		
ISSUED			0.01 TO 18 GHz, SINGLE POLE FOUR THROW SWITCH		
SIZE	FSCM NO.	DWG NO.	REV.		
A	60483	100-7118	-		
SCALE N:S		SHEET		1 OF 3	

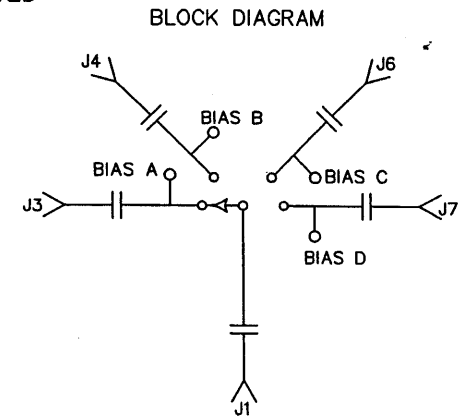
DESCRIPTION

AMC MODEL SWN-1170-4DR-133 IS A 0.01 TO 18 GHz, REFLECTIVE, SINGLE POLE FOUR THROW SWITCH HAVING AN INSERTION LOSS OF 4.0 dB MAXIMUM, AN ISOLATION OF 60 dB MINIMUM AND A VSWR OF 2.0:1.

REVISIONS				
ZONE	REV.	DESCRIPTION	DATE	APPROVED
	-	ORIGINAL RELEASE JOB# 409210-1	9/15/04	ESK



MECHANICAL OUTLINE



ALL DIMENSIONS ARE IN INCHES
 TOLERANCES:
 X.XX ±0.020
 X.XXX ±0.010

AMERICAN MICROWAVE CORPORATION

7311-G GROVE ROAD
 FREDERICK, MARYLAND 21704 USA
 TEL: 301-662-4700 FAX: 301-662-4938
 WEBSITE: www.americanmicrowavecorp.com
 E-MAIL: sales@americanmicrowavecorp.com
 ISO 9001:2000 CERTIFIED



APPROVALS		DATE	TITLE		
DRAWN <i>gdy</i>		9/15/04	MECHANICAL OUTLINE SWN-1170-4DR-133		
CHECKED <i>PA</i>		9/22/04	0.01 TO 18 GHz, SINGLE POLE FOUR THROW SWITCH		
ISSUED			SIZE	FSCM NO.	DWG NO.
			A	60483	100-7118
			SCALE N:S		SHEET 2 OF 3